

These curtain supports are designed to keep the sun's rays from the varnish application on the ships rails and deck areas.

UV Shield for Yacht Bright Work Application 1/31/2009

This structure is very easy to build from PVC pipe and the fittings are available from most hardware stores.

The supports are simply clamped or taped on to the vertical stanchions and the Welding Curtain is dressed from support to support in both the vertical and horizontal axis, with the Clips holding the Curtain firmly in place.

It is easily taken apart at the upper joint where the horizontal piece meets the vertical piece.

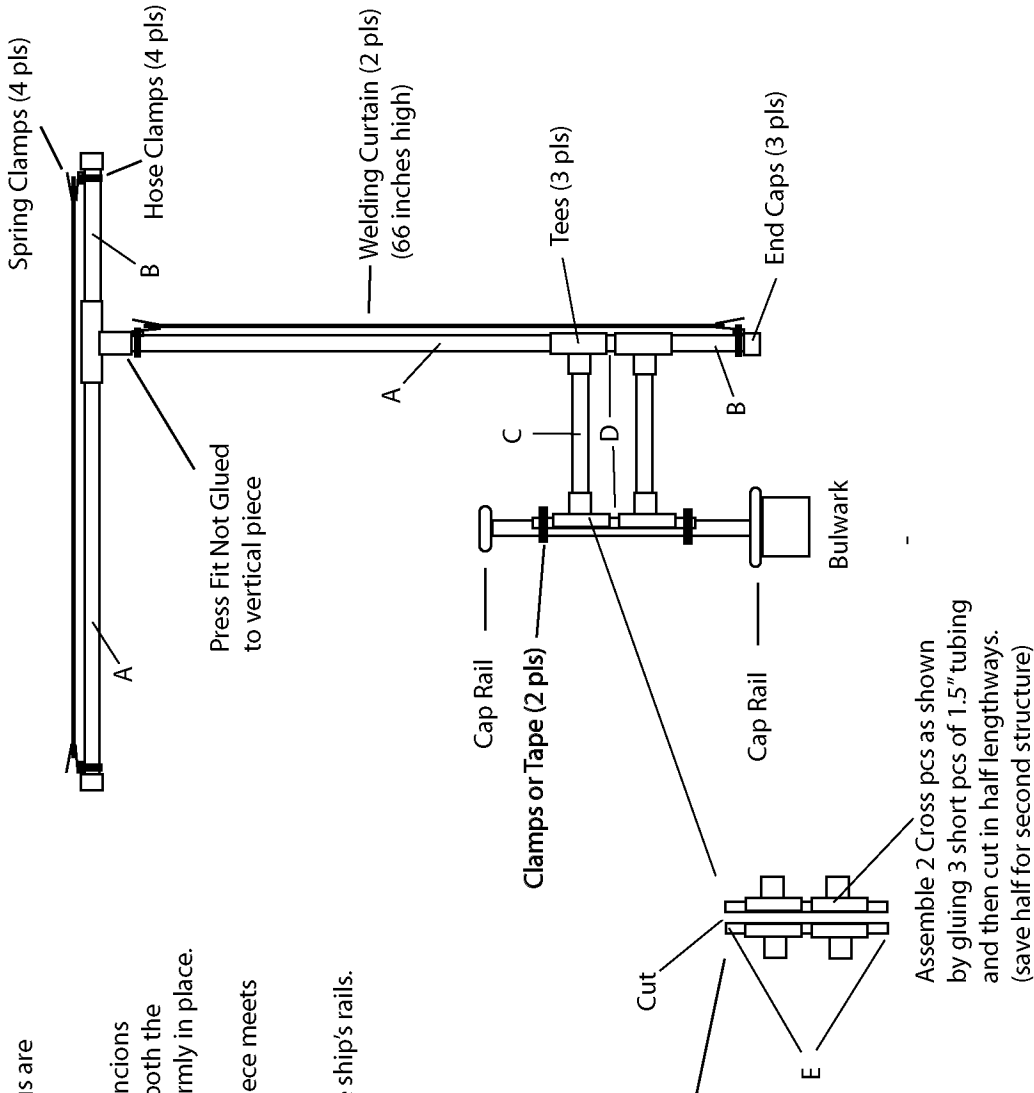
The spacing of the Supports can be every other stanchion on the ship's rails.

List of Materials for One Support:

- PVC Pipe 1.5" dia. Schedule 40 (20ft)
- Spring Clamps 3/4" or 1" (4 pcs)
- Hose clamps 1.5" (4 pcs)
- PVC Cement (1 can)
- PVC Tee 1.5" (3 pcs)
- PVC Cross 1.5" (1 pc but see assembly note)
- End Caps 1.5" (3 pcs)
- Welder's Curtain 66" x ???ft

Cut pipe lengths as follows:

- A 48" (2 pcs)
- B 12" (2 pcs)
- C 18" (2 pcs)
- D 3" (2 pcs)
- E 6" (2 pcs)



ADMIRALTY COATINGS INC.  
 PO BOX 8488, CHULA VISTA, CA 91912  
 619 240 8535 619 207 7778  
 WWW.ADMIRALTYMARINECOATINGS.COM